

# HYDROCITY WALL LED IP66



## Product Characteristics



## Beskrivning

Round wall mounted luminaire for outdoor installation, with downward asymmetric light distribution.

Phospho-chromatised and polyester powder coated die-cast copper-free aluminium body, tempered safety glass, moulded silicone gasket and stainless steel screws Built-in LED driver/s, IP66 rating.

- Material: high corrosion resistance die-cast copper-free aluminum body
- Coating: polyester powder coating with phosphochromating pre-finish
- Electronic transformer 220/240V 50/60Hz included
- Stainless steel screws
- Silicone rubber gasket
- Tempered safety glass.
- 3 m neoprene power cable included

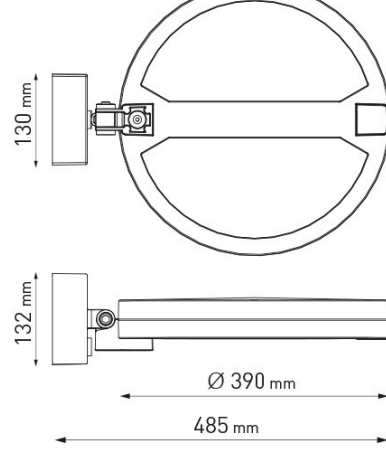
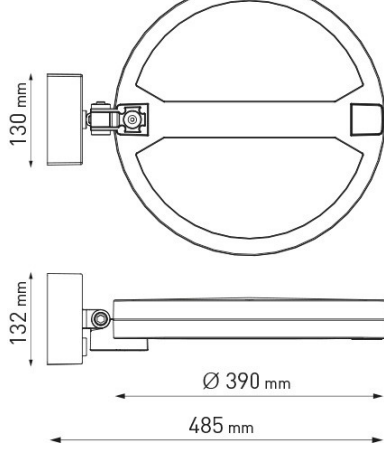
### AVAILABLE COLOURS

- TEXTURE
- MATT WHITE (ON REQUEST)
- MATT BLACK (ON REQUEST)

### LIGHT BEAM OPTION

- CYCLE ROUTE / PEDESTRIAN
- STREET

## Ljusfördelning



ART	W	LM	IP	KELVIN
101201	36	3456	IP66	3000K / 4000K
101202	72	6912	IP66	3000K / 4000K